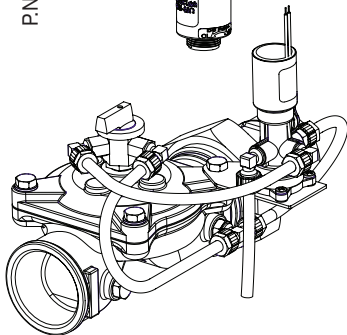
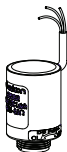


P.N: B752.02



3-way Solenoid

DC pulse 2 wires / 3 wires
CV600

CV600 is a solenoid used to command 3-way hydraulic valves of various kinds.

The product is supplied as a separate product or assembled on a bracket in quantities of 2-4-6-8-10.

Construction materials:

Plastic – reinforced nylon

Seals: EPDM.

Metals: stainless.

Hydraulic properties:

Work pressure
up to 10 atm.

KV approx.

80 liter/hour in 1.8 mm. nozzle.



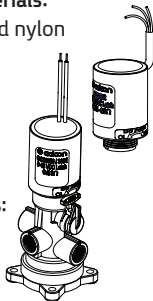
Kibbutz Kfar Blum 1215000

Tel: +972-4-6900222

Fax: + 972-4-6902727

E-mail: info@galconc.com

www.galconc.com



Work temp:
5-70 degrees.

Inputs:
1-8 BSPT FEMALE

Work voltage 2 wires/ 3 wires:
6-18V DC / 15-24V DC pulse
depending on capacitor and
pressure of water system.

Electrical data 2 wires/ 3 wires:
Resistance - 3Ω / $14-3.5\Omega$

Electrical connections:
80 cm. PVC cable, 24 AWG.

Command:
NO/NC – according to electrical
connection of wires.

Dimensions:
Height-103 mm.
Width: 42 mm.
Length: 44 mm.
Weight: 178.4 gm.

